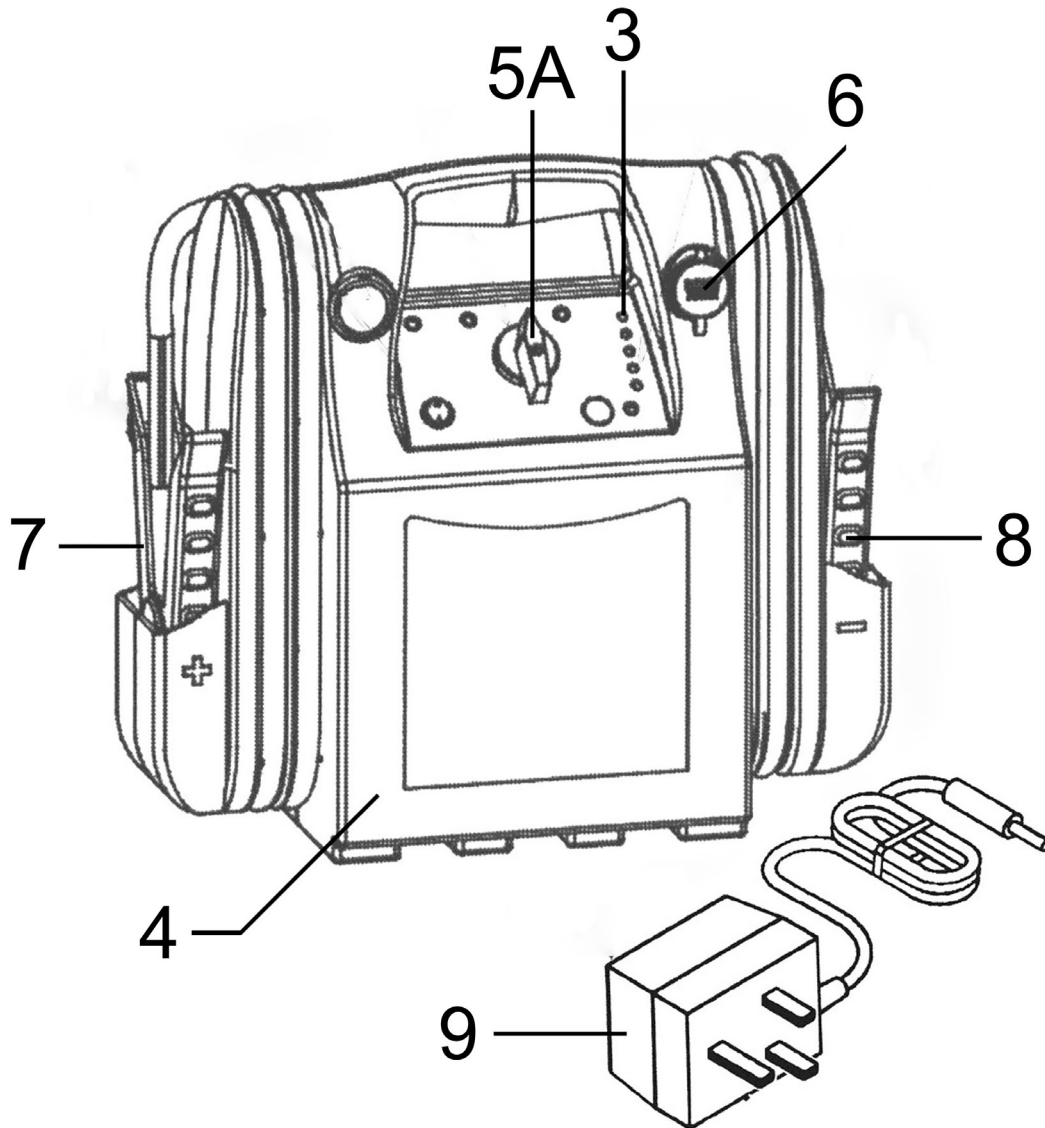




Parts Information:
RoadStart® Emergency Jump Starter
12/24V 3200/1600 Peak Amps
Model No: RS105.V4



Item	Part No.	Description
3	RS105.V3-03	Multiple Led Power Indicator
4	RS105.V4-C	Casing-Complete (Front And Back)
5A	RS105.05A	Knob, Voltage Selection Switch, OD: 33mm, 6mm Sq. Female Fit
6	RS103.06	Cigarette Lighter Socket(c/w Cap)
7	RS103.07	Heavy Duty Clamp + Cable (Negative)
8	RS105.V3-08	Heavy Duty Clamp & Cable (Positive, With Extra Wire)
9	RS10AUA	Universal Adaptor 1.0A 15V
--	RS105.V3-02	LED Display Label (Not Shown)
--	RS105.V3-11	Solenoid (Not Shown)

Item	Part No.	Description
--	RS105.V4-L	Front Label For RS105 (Not Shown)
--	RS105.V4-L1	Back Label For RS105 (Not Shown)
--	RS105.V4-RS	Switch, Relay Rocker (10A/125V) (Not Shown)
--	RS105.05	Switch, Rotary w/o Knob (12V/24V) (Not Shown)
--	RS103.10	Extension Cord (Not Shown)
--	RS103.11	Clamp Clips (Pair) (Not Shown)
--	RS105.BC	Back Cover Set (Not Shown)
--	RS1/B	Battery, 12v, 18ah (Lead Acid)(H:170 W:180 B:75) (Not Shown)

NOTE: It is our policy to continually improve products and as such we reserve the right to alter data, specifications and component parts without prior notice. There may be alternative versions of this product, please contact us should you require this information.

IMPORTANT: No liability is accepted for incorrect use of product. Spare parts must be fitted by a competent person

WARRANTY: Guarantee is 12 months from purchase date, proof of which will be required for any claim.

Sealey Group, Kempson Way, Suffolk Business Park, Bury St Edmunds, Suffolk. IP32 7AR



01284 757500



sales@sealey.co.uk



www.sealey.co.uk